



OPERATION MANUAL

Model	Replacement Filter
KP02	FC06/FC07

Supplying clean drinking water at all times and in all places, quickly and easily. Ensuring every drop of filtered water safe, fresh and with excellent taste.



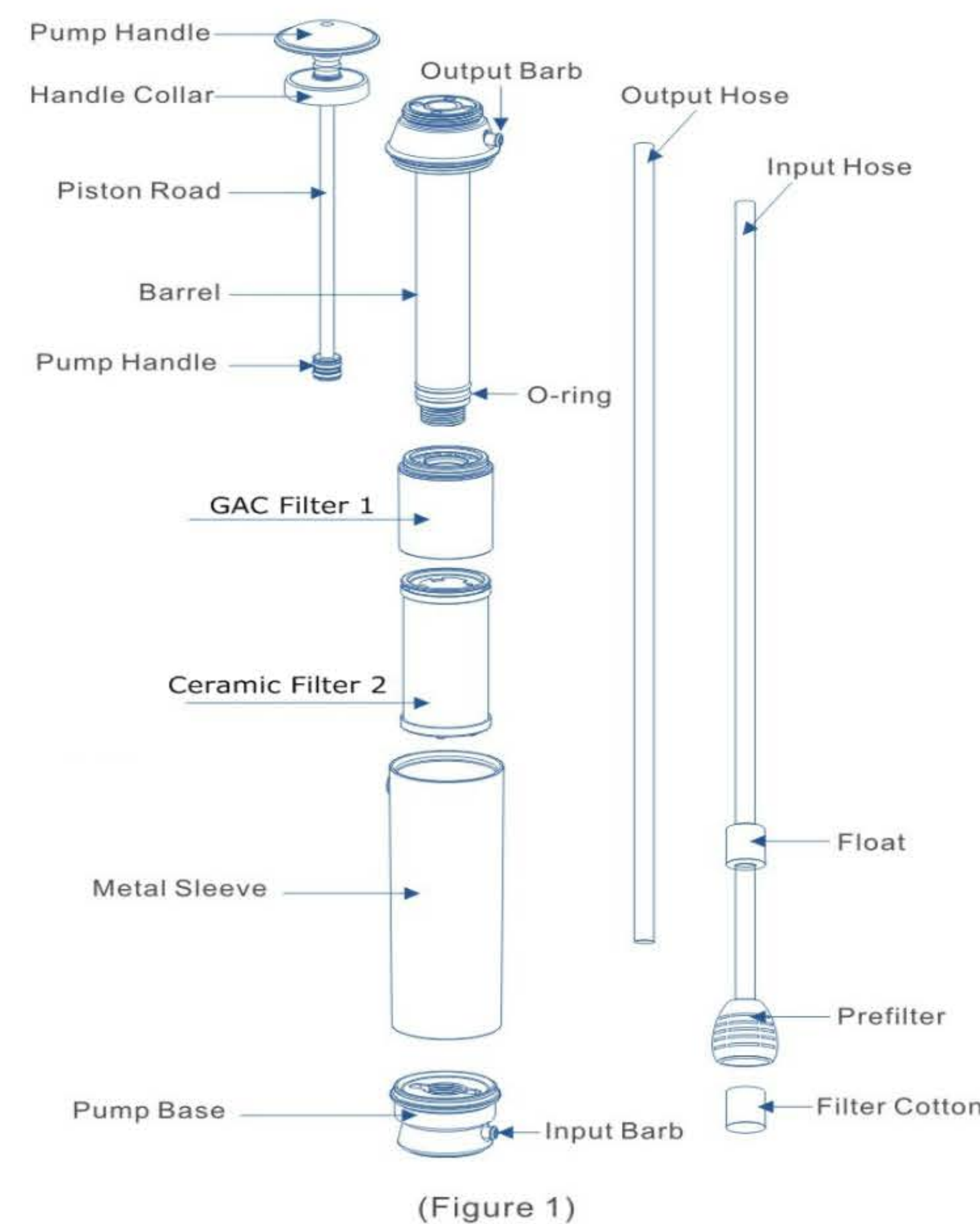
Thank you for choosing The H2O Survival Camping Water Filter Microfilter. We sincerely hope it will bring you and your family safe, healthy drinking water everywhere. The H2O SCWF Microfilter meets industry standards for reduction of bacteria (99.9999%, such as Legionella and Colibacillus) and protozoan cysts (99.99%, such as Giardia and Cryptosporidium). Its intelligent design combines high efficiency pumping with ease of use, which will be an ideal partner for quenching your thirst.

Be sure to follow the instructions carefully for maximum performance, failure to do so may result in unsafe drinking!

PRODUCT CHARACTERISTICS

Item	Model	KP02
Output		0.5L/min
Filter Capacity /Proposed time	①	80L/3months
	②	5000L/5years
Temperature		32°F—113°F
Dimensions		Φ47*220mm
Weight		410g
Water Source		different fresh water (such as lakes, rivers, mountain springs, or streams)
Material		Aluminium, ABS plastic, Ceramic, Silicagel, Stainless steel etc.

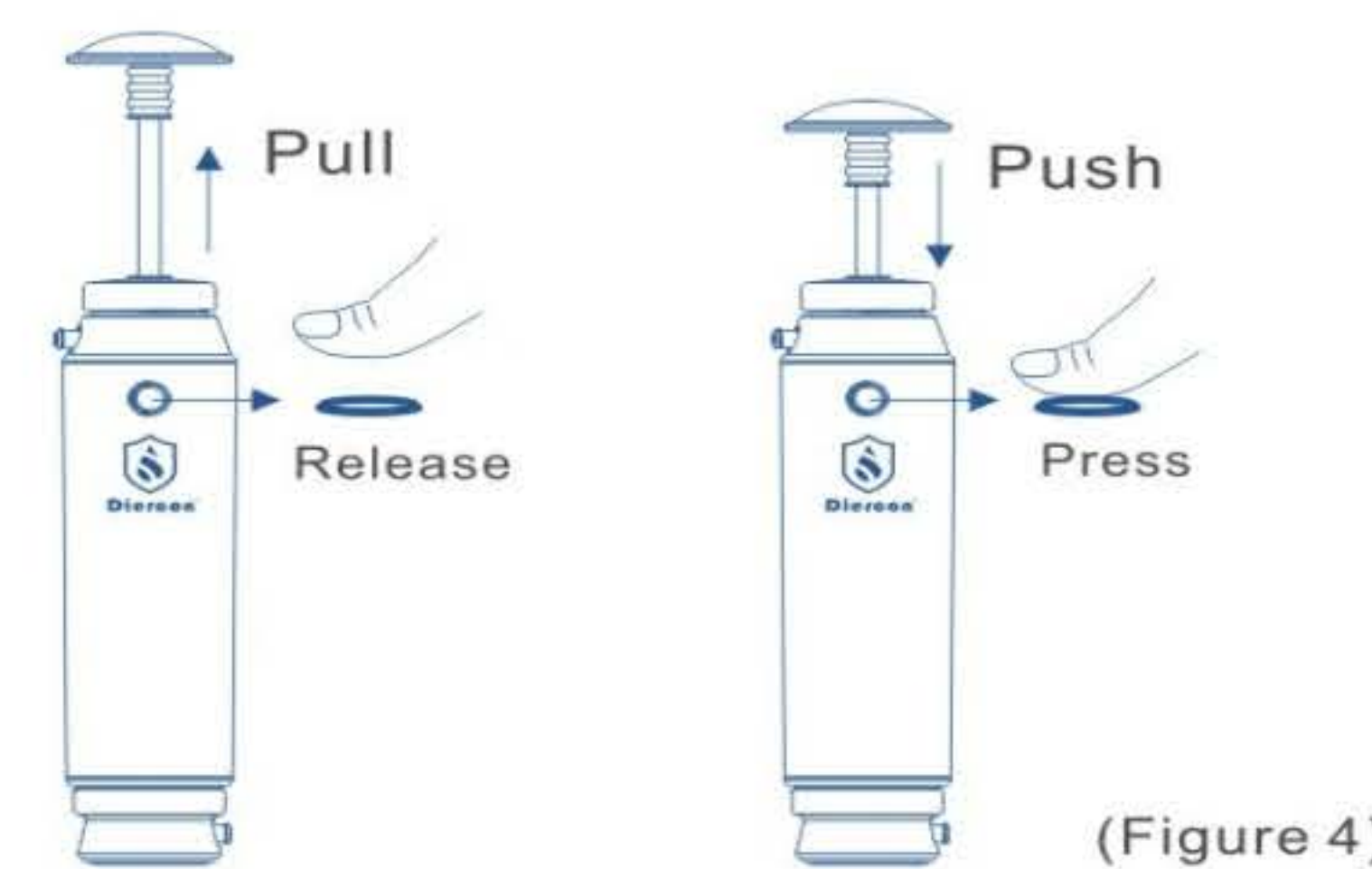
KEY COMPONENTS



(Figure 1)

NORMAL OPERATION

- 1) Please put input hose in untreated water sources (river, lake and stream etc.) Adjust the float to keep prefilter off the bottom and away from sediment. (Figure 2)
- 2) Please put output hose into a clean water container or attach the output hose to the input barb on H2O Survival Water Filter Bottle PB02/PB03 for better filtration. (Figure 3)
- 3) Hold the filter vertically and begin pumping the handle in a slow steady manner. Make sure the input hose is not kinked.
- 4) After filling water container with filtered water, remove output hose from container and input hose from water source. Continue pumping to remove remaining water from pump body.
- 5) Store the unit in the carry bag. To prevent the possibility of cross contamination, remove the output hose and store separately.



(Figure 4)

Note:

1. At the initial stage during pumping, press the relief valve when pushing and release the relief valve when pulling the handle for 3—5 times (Figure 4) until water following out.
2. Before each use, pump and discard a small amount (0.5 liters) of water to remove stale taste.
3. If the bottle fell to the ground, be sure to make a confirmation that the filters weren't damaged and fit tightly.

PRODUCT SET-UP

BEFORE FIRST USE, PLEASE LIGHTLY SCRABE OFF THE LIGHT SEAL COATING ON THE CERAMIC FILTER WITH THE INCLUDED CLOTH SCRAPER.

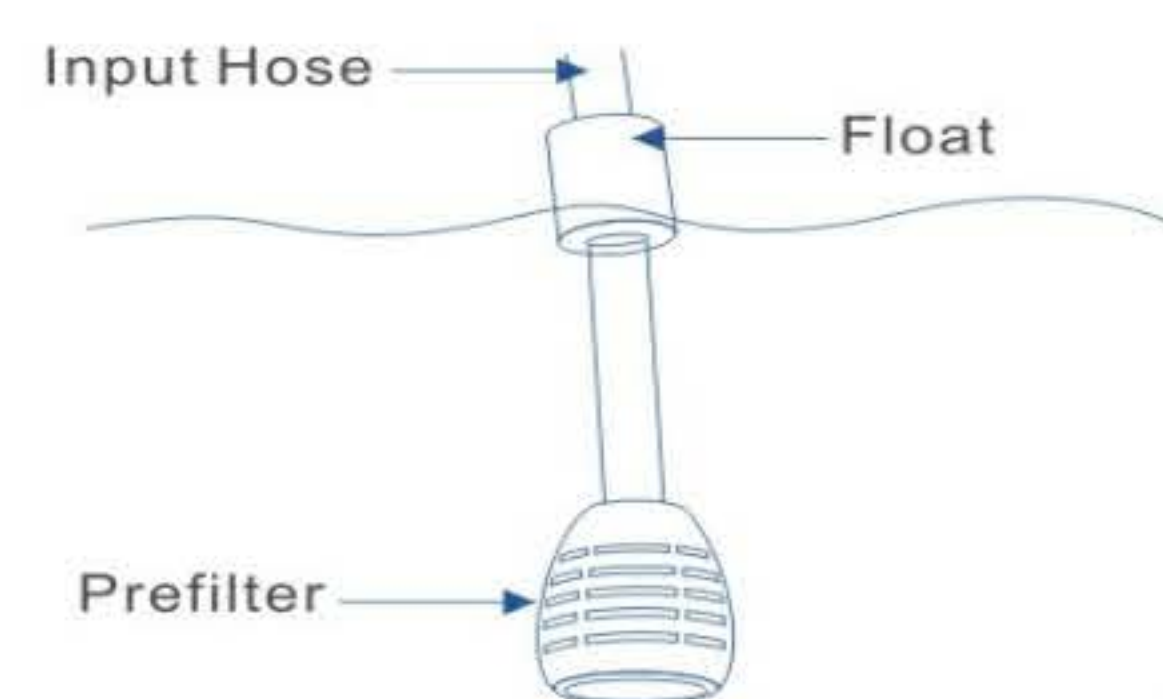
The product required minimal set up. For best result, try out the product before first field use to familiarize yourself with its operation.

1) Connect Hose

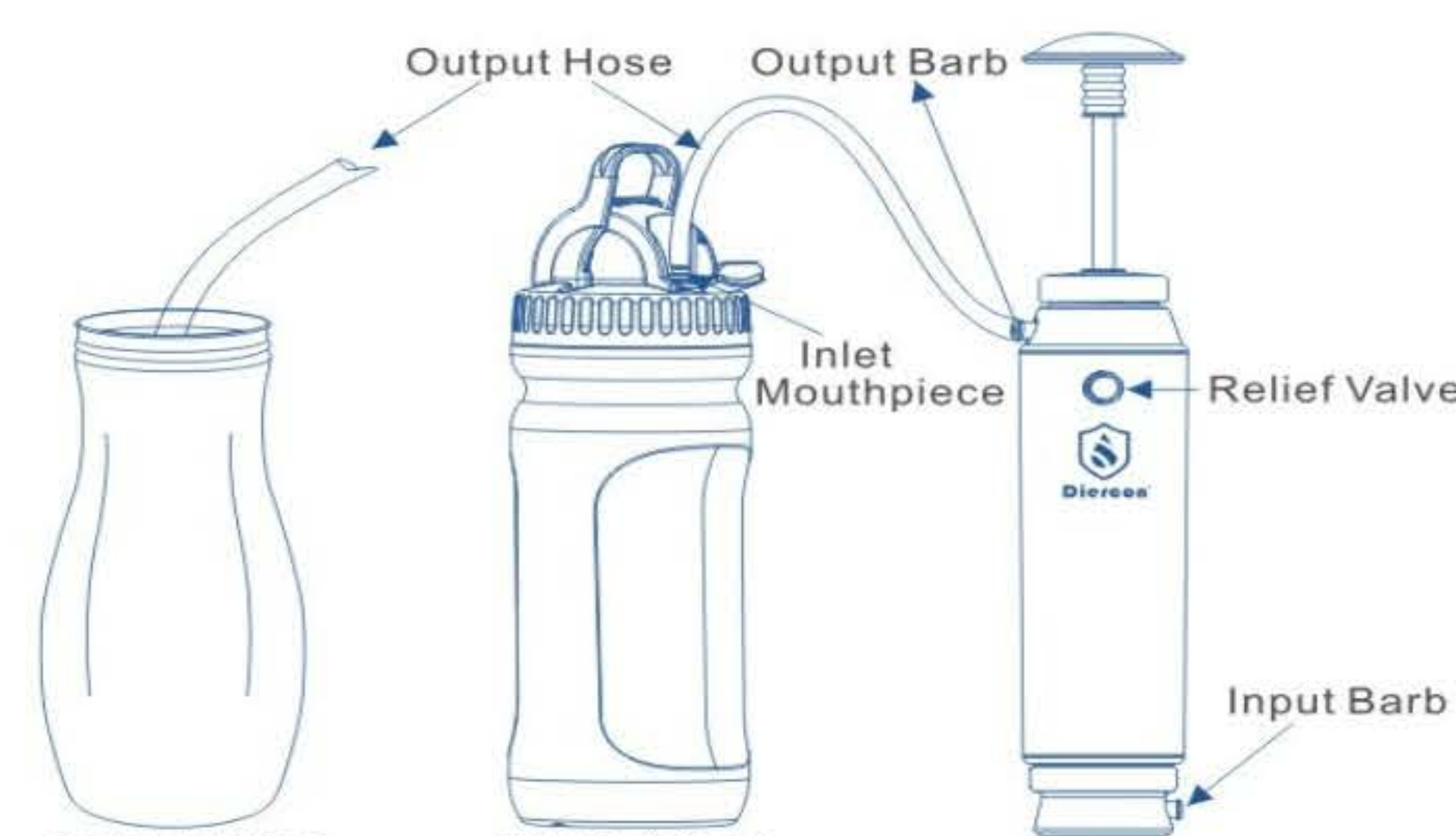
Push the float and prefilter on to the input hose (prefilter with filter cotton). Locate the float approx. 2 inches from prefilter. Attach the input hose to the input barb on the pump base. Attach the output hose to the output barb. (Figure 1)

2) Flush System

Important: Before first use, flush system by pumping approximately 1.0 liters water through unit to remove harmless ceramic dust. See following section on Normal Operation on how to filter water.



(Figure 2)



(Figure 3)

MAINTENANCE OF FILTER

The H2O Survival™ Camping Water Filter is designed to remove bacteria and protozoan cysts such as Legionella, Giardia and Cryptosporidium. To extend ceramic life, always use the best water source available. Keep the input prefilter clean and off the bottom. In heavy sediment conditions, wrap a coffee filter or bandanna around the input pre-filter. Where possible, place untreated water in container and appear clear then filter from water above the sediment. Maintain your Diercon water system to keep it operating smoothly.

1) If handle is hard to push

a. Make sure the filter pores are not clogged. If the filter pores of the ceramic are clogged, the ceramic needs to be cleaned. Never use force when pumping. Remove the element by turning it counter-clockwise as far as it will go and lift it from the housing. Regenerate the ceramic by brushing under running water with the supplied scrubber until the light, original ceramic color appears again.

b. Lubricate pump handle O-ring. Food-grade lubricant is provided with your new unit. Remove handle collar and handle. (Figure 1) Clean excess build-up from black rubber O-ring on bottom of handle. Place a small amount of lubricant all the way around to O-ring. re-assemble.

2) If unit pumps easily, but no water flow

Make sure pre-filter is submerged. Make sure that input hose is not blocked or kinked. Hold the filter vertically until water flows.

3) Pre-filter:

Rinse the pre-filter in water to remove any particles that may be caught in the strainer.

4) Storage:

Note: Your H2O Survival Camping Water Filter comes with a carry bag for storage. To prevent the possibility of cross contamination remove the output hose and store separately in the re-sealable bag inside the carry bag.

LONG-TERM STORAGE

Store the Pocket filter as follows:

- 1) Unscrew the pump base and clean the ceramic element by brushing with the supplied cleaning scrubber. Clean all elements thoroughly. Allow to air-dry completely.
- 2) Rinse the metal sleeve and remove any dirt.
- 3) Lubricate the O-rings.
- 4) Re-assemble the filter.

5) Package of all components inside the carry bag.

Note: When removing unit from long-term storage, flush the system with 0.5 liter of water to remove any stale tasting water.

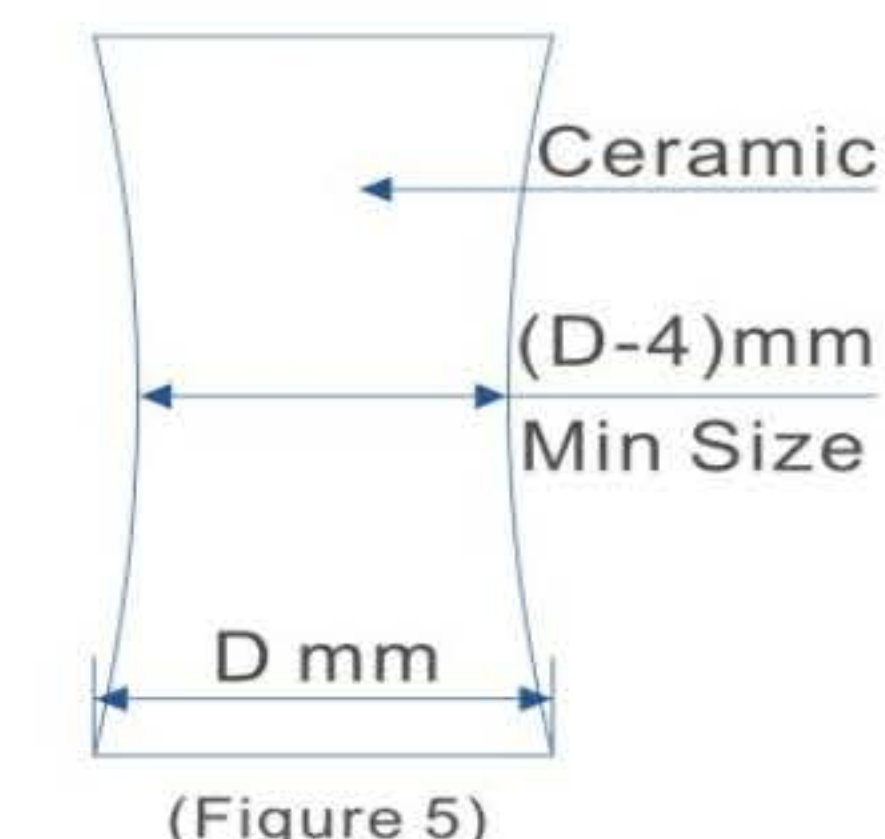
CERAMIC CAPACITY

Ceramic capacity depends on water quality. The dirtier the more often you will have to clean the ceramic. To extend ceramic life, always use the best water source available. Keep prefilter clean and off the bottom. Inspect the ceramic for cracks after cleaning if you dropped the filter or after long-term storage. If the filter shows cracks it will no longer protect you from micro-organisms and needs to change. **Always filter in the clearest area of the lake or pond to avoid clogging filter with sediment and debris. Adjust your float to keep the inlet hose off the bottom of your water source where debris is often the heaviest. Never filter without inline sponge element.**

FILTER REPLACEMENT

After the filter reached its capacity (refer to Product Characteristics), or the diameter size of ceramic filter decreased by 4mm (Figure 5). Replace following steps to change the filtration cartridge:

- 1) Remove pump base out by turning it counter-clockwise.
- 2) Remove metal sleeve by pulling filter housing downwards slowly.
- 3) Remove new filter from packaging and assemble it. (Figure 1).
- 4) Push the metal sleeve over the new filter. Tighten the pump base to the housing clockwise.
- 5) Flush filter system by pumping and discarding the first 0.5 liter.



(Figure 5)

PACKING LIST

Item	Model	*ARMY EDITION or
		The H2O Survival™ Camping Water Filter
Kingkong Pocket		1
Lubricant Tube		1
Ceramic Scrubber		1
O-ring		8
Float		1
Hose		2
Filter Cotton		1
Prefilter		1
Manual		1

LIMITED WARRANTY

Your H2O Survival Camping Water Filter is warranted for 20 Years from the date of Purchase against defects in materials and workmanship. Within 20 years from the date of purchase. Should your H2O Survival Camping Filter prove to be defective, Contact your retailer first. If they can not repair/replace it, please call Manufacturer at (+86)769 81873058 for service assistance. The Manufacturer at its discretion will repair or replace the damaged item. Please retain and provide proof of purchase date.

MillerProSource dba website2market, LLC
 H2O SURVIVAL (tm)
 Livingston N.J. 07039
 For CustomerService & Information
 Email: info@website2market.com
www.H2OSurvivalGear.com

Download your free e-book! Just type in: www.911superstore.com/Survivalguide

